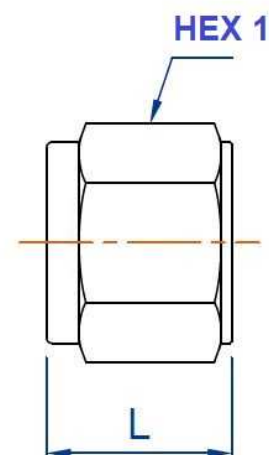


Racor Doble Anillo Trale LOK

Tuercas y anillos

Tuercas para doble anillo

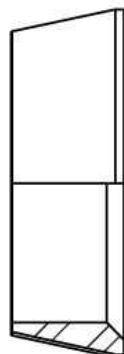
1/1



Artículo	ØD1	L	HEX 1
ZKN02	1/8"	11.94	7/16"
ZKN04	1/4"	12.7	9/16"
ZKN05	5/16"	13.46	5/8"
ZKN06	3/8"	14.22	11/16"
ZKN08	1/2"	17.53	7/8"
ZKN10	5/8"	17.53	1"
ZKN12	3/4"	17.53	1"3/16
ZKN16	1"	20.57	1"1/2
ZKN06M	6	12.7	14
ZKN08M	8	13.5	16
ZKN10M	10	15.1	19
ZKN12M	12	17.5	22
ZKN14M	14	17.5	25
ZKN15M	15	17.5	25
ZKN16M	16	17.5	25
ZKN18M	18	17.5	30
ZKN20M	20	17.5	32
ZKN22M	22	17.5	32
ZKN25M	25	20.6	38

Racor Doble Anillo Trale LOK

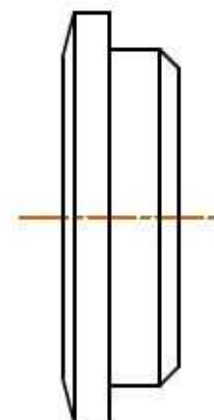
Tuercas y anillos

Anillo frontal**1/1**

Artículo	ØD1
ZKAF02	1/8"
ZKAF04	1/4"
ZKAF05	5/16"
ZKAF06	3/8"
ZKAF08	1/2"
ZKAF10	5/8"
ZKAF12	3/4"
ZKAF16	1"
ZKAF06M	6
ZKAF08M	8
ZKAF10M	10
ZKAF12M	12
ZKAF14M	14
ZKAF15M	15
ZKAF16M	16
ZKAF18M	18
ZKAF20M	20
ZKAF22M	22
ZKAF25M	25

Racor Doble Anillo Trale LOK

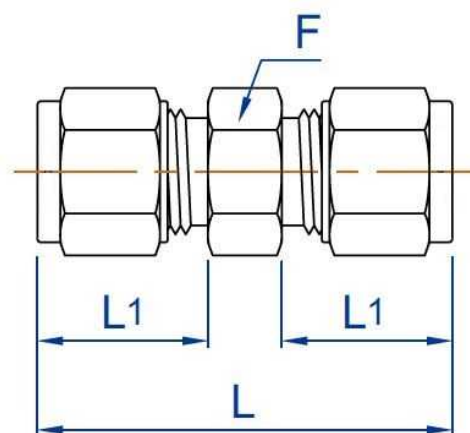
Tuercas y anillos

Anillo posterior**1/1**

Artículo	ØD1
ZKAP02	1/8"
ZKAP04	1/4"
ZKAP05	5/16"
ZKAP06	3/8"
ZKAP08	1/2"
ZKAP10	5/8"
ZKAP12	3/4"
ZKAP16	1"
ZKAP06M	6
ZKAP08M	8
ZKAP10M	10
ZKAP12M	12
ZKAP14M	14
ZKAP15M	15
ZKAP16M	16
ZKAP18M	18
ZKAP20M	20
ZKAP22M	22
ZKAP25M	25

Racor Doble Anillo Trale LOK

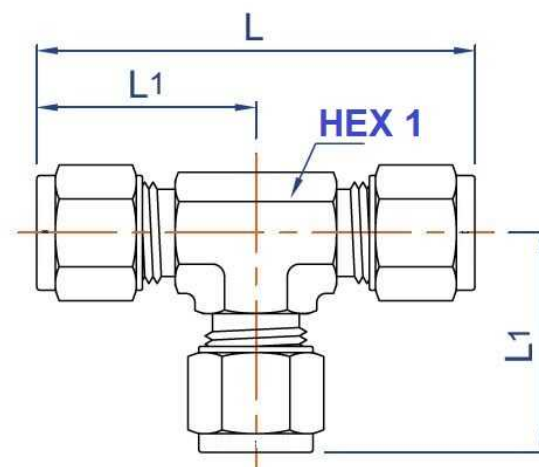
Uniones tubo-tubo

Racor unión recta tubo - tubo**1/1**

Artículo	ØD1	Ø int	L	L1	F
ZKI02	1/8"	2,29	35,3	15,24	7/16"
ZKI04	1/4"	5,08	41,15	17,8	1/2"
ZKI05	5/16"	6,35	43,18	18,54	9/16"
ZKI06	3/8"	7,11	44,96	19,3	5/8"
ZKI08	1/2"	10,42	51,30	22,1	1" 3/16
ZKI10	5/8"	12,7	52,07	22,1	1" 5/16
ZKI12	3/4"	15,5	53,6	22,1	22
ZKI16	1"	21,85	65,28	26,67	1" 3/8
ZKI06M	6	5	41,2	17,7	14
ZKI08M	8	6,5	43,2	18,6	15
ZKI10M	10	7,9	46,2	19,5	18
ZKI12M	12	9,5	51,2	22	24
ZKI14M	14	11,1	52	22	24
ZKI15M	15	11,9	52	22	24
ZKI16M	16	12,7	52	22	27
ZKI18M	18	15	53,5	22	30
ZKI20M	20	16	55	22	30
ZKI22M	22	18	55	22	30
ZKI25M	25	22	65,1	26,5	35

Racor Doble Anillo Trale LOK

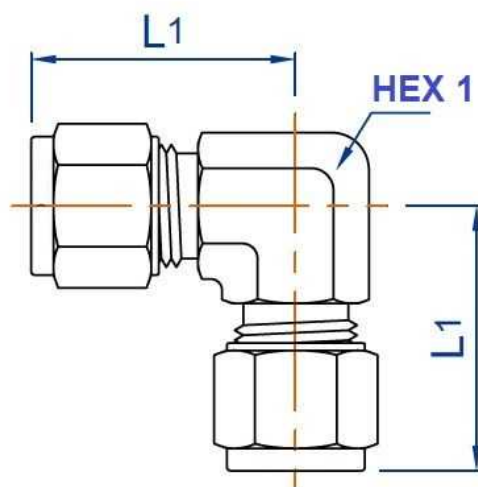
Uniones tubo-tubo

Racor unión en T tubo - tubo**1/1**

Artículo	ØD1	Ø int	L	L1	HEX 1
ZKT02	1/8"	2.28	54.35	27.17	1/2"
ZKT04	1/4"	5.08	54.35	27.17	1/2"
ZKT05	5/16"	6.35	58.92	29.46	5/8"
ZKT06	3/8"	7.11	60.96	30.48	5/8"
ZKT08	1/2"	10.41	73.15	36.57	13/16"
ZKT10	5/8"	12.7	79.75	39.87	1"
ZKT12	3/4"	15.49	79.75	39.87	1"
ZKT16	1"	17.78	101.6	50.8	1"3/8
ZKT06M	6	5	54.4	27.2	1/2"
ZKT08M	8	6.5	59	29.5	5/8"
ZKT10M	10	7.9	63.2	31.6	11/16"
ZKT12M	12	9.5	73.2	36.6	13/16"
ZKT14M	14	11.1	80	40	1"
ZKT15M	15	11.9	80	40	1"
ZKT16M	16	12.7	80	40	1"
ZKT18M	18	15	80	40	1"
ZKT20M	20	16	95	47.5	1"3/8
ZKT22M	22	18	95	47.5	1"3/8
ZKT25M	25	22	101.4	50.7	1"3/8

Racor Doble Anillo Trale LOK

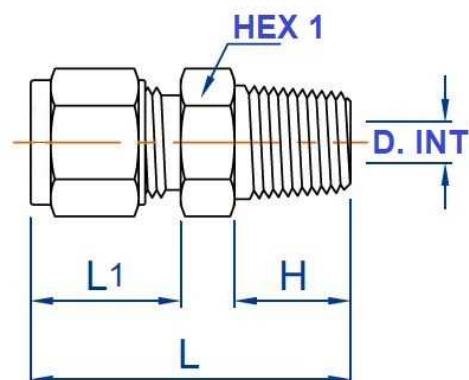
Uniones tubo-tubo

Racor unión en codo tubo - tubo**1/1**

Artículo	ØD1	Ø int	L1	HEX 1
ZKL02	1/8"	2.28	27.18	1/2"
ZKL04	1/4"	5.08	27.18	1/2"
ZKL05	5/16"	6.35	28.96	9/16"
ZKL06	3/8"	7.11	30.48	5/8"
ZKL08	1/2"	10.41	36.56	13/16"
ZKL10	5/8"	12.7	39.87	1"
ZKL12	3/4"	15.50	39.87	1"
ZKL16	1"	21.84	50.8	1 3/8"
ZKL06M	6	5	27.2	1/2"
ZKL08M	8	6.5	29.1	9/16"
ZKL10M	10	7.9	31.6	11/16"
ZKL12M	12	9.5	36.6	13/16"
ZKL14M	14	11.1	40	1"
ZKL15M	15	11.9	40	1"
ZKL16M	16	12.7	40	1"
ZKL18M	18	15	40	1"
ZKL20M	20	16	47.5	1 3/8"
ZKL22M	22	18	47.5	1 3/8"
ZKL25M	25	22	50.7	1 3/8"

Racor Doble Anillo Trale LOK

Uniones rectas tubo-rosca macho

Racor recto rosca cónica NPT**1/2**

Artículo	ØD1	R1	Ø int	L	L1	HEX 1	F
ZKIMP0202	1/8"	1/8"	2.28	30.48	15.24	7/16"	9.65
ZKIMP0204	1/8"	1/4"	2.28	35.56	15.24	9/16"	14.22
ZKIMP0206	1/8"	3/8"	2.28	36.06	15.24	11/16"	14.22
ZKIMP0208	1/8"	1/2"	2.28	42.42	15.24	7/8"	19.05
ZKIMP0402	1/4"	1/8"	5.08	32.77	17.78	1/2"	9.65
ZKIMP0404	1/4"	1/4"	5.08	37.85	17.78	9/16"	14.22
ZKIMP0406	1/4"	3/8"	5.08	38.35	17.78	11/16"	14.22
ZKIMP0408	1/4"	1/2"	5.08	44.70	17.78	7/8"	19.05
ZKIMP0602	3/8"	1/8"	5.08	35.05	19.30	5/8"	9.65
ZKIMP0604	3/8"	1/4"	7.11	39.87	19.30	5/8"	14.22
ZKIMP0606	3/8"	3/8"	7.11	39.87	19.30	11/16"	14.22
ZKIMP0608	3/8"	1/2"	7.11	46.22	19.30	7/8"	19.05
ZKIMP0802	1/2"	1/8"	5.08	38.86	22.10	13/16"	9.65
ZKIMP0804	1/2"	1/4"	7.11	43.43	22.09	13/16"	14.22
ZKIMP0806	1/2"	3/8"	9.65	43.43	22.10	13/16"	14.22
ZKIMP0808	1/2"	1/2"	10.41	49.02	22.09	7/8"	19.05
ZKIMP06M02	6	1/8"	5	32.9	17.7	14	9.5
ZKIMP06M04	6	1/4"	5	38.1	17.7	14	14.3
ZKIMP06M06	6	3/8"	5	38.5	17.7	18	14.3
ZKIMP06M08	6	1/2"	5	44.8	17.7	22	19.10
ZKIMP08M02	8	1/8"	5	34.20	18.60	15	9.5
ZKIMP08M04	8	1/4"	6.5	38.78	18.60	15	14.3
ZKIMP08M06	8	3/8"	6.5	39.30	18.60	18	14.3
ZKIMP08M08	8	1/2"	6.5	45.6	18.60	22	19.10
ZKIMP10M02	10	1/8"	5	36.1	19.5	18	9.5
ZKIMP10M04	10	1/4"	7.1	40.9	19.5	18	14.3
ZKIMP10M06	10	3/8"	7.9	40.9	19.5	18	14.3

Racor Doble Anillo Trale LOK

Uniones rectas tubo-rosca macho

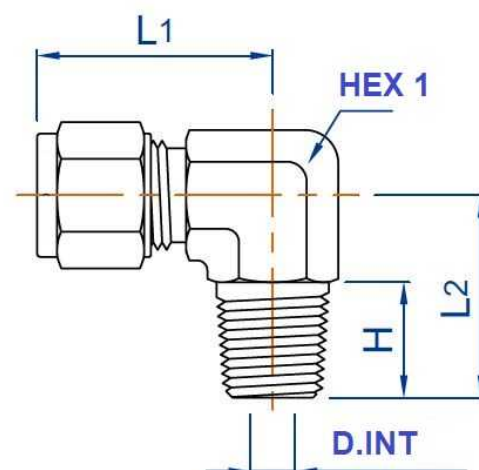
Racor recto rosca cónica NPT**2/2**

Artículo	ØD1	R1	Ø int	L	L1	HEX 1	F
ZKIMP10M08	10	1/2"	7.9	47.5	19.5	22	19.10
ZKIMP12M04	12	1/4"	7.1	43.4	22	22	14.3
ZKIMP12M06	12	3/8"	9.5	43.4	22	22	14.3
ZKIMP12M08	12	1/2"	9.5	49	22	22	19.10

FLUIDAL

Racor Doble Anillo Trale LOK

Codos tubo-rosca

Racor en codo rosca cónica NPT**1/2**

Artículo	ØD1	R1	Ø int	L1	L2	HEX 1	H
ZKLMP0202	1/8"	1/8"	2.28	27.18	17.78	1/2"	9.65
ZKLMP0204	1/8"	1/4"	2.28	27.17	24.13	1/2"	14.22
ZKLMP0206	1/8"	3/8"					
ZKLMP0402	1/4"	1/8"	5.08	27.43	17.78	1/2"	9.65
ZKLMP0404	1/4"	1/4"	5.08	27.43	24.13	1/2"	14.22
ZKLMP0406	1/4"	3/8"	5.08	29.46	27.94	5/8"	14.22
ZKLMP0408	1/4"	1/2"	5.08	33.27	34.29	13/16"	19.05
ZKLMP0602	3/8"	1/8"	5.08	30.48	20.06	5/8"	9.65
ZKLMP0604	3/8"	1/4"	7.11	30.48	24.63	5/8"	14.22
ZKLMP0606	3/8"	3/8"	7.11	30.48	27.94	5/8"	14.22
ZKLMP0608	3/8"	1/2"	7.11	34.54	34.29	13/16"	19.05
ZKLMP0804	1/2"	1/4"	7.11	36.57	29.21	13/16"	14.22
ZKLMP0806	1/2"	3/8"	9.65	36.57	29.21	13/16"	14.22
ZKLMP0808	1/2"	1/2"	10.41	36.57	36.57	13/16"	36.57
ZKLMP06M02	6	1/8"	5	27.2	17.7	1/2"	9.7
ZKLMP06M04	6	1/4"	5	27.2	24.1	1/2"	14.2
ZKLMP06M06	6	3/8"	5	29.5	28	5/8"	14.2
ZKLMP06M08	6	1/2"	5	33.20	34.20	13/16"	19
ZKLMP08M02	8	1/8"	5	29	19.7	9/16"	9.7
ZKLMP08M04	8	1/4"	6.5	29	25.8	9/16"	14.2
ZKLMP08M06	8	3/8"	6.5	29.75	28	5/8"	14.2
ZKLMP08M08	8	1/2"	6.5	35.4	34.20	13/16"	19.10
ZKLMP10M02	10	1/8"	5	31.5	22.1	11/16"	9.7
ZKLMP10M04	10	1/4"	7.1	31.5	26.6	11/16"	14.2
ZKLMP10M06	10	3/8"	7.9	31.5	26.6	11/16"	14.2
ZKLMP10M08	10	1/2"	7.9	34.4	34.20	13/16"	19
ZKLMP12M04	12	1/4"	7.1	36.6	29.1	13/16"	14.2

Racor Doble Anillo Trale LOK

Codos tubo-rosca

Racor en codo rosca cónica NPT

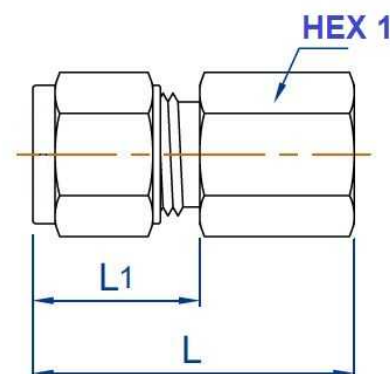
2/2

Artículo	ØD1	R1	Ø int	L1	L2	HEX 1	H
ZKLMP12M06	12	3/8"	9.5	36.6	29.1	13/16"	14.2
ZKLMP12M08	12	1/2"	9.5	36.6	34.20	13/16"	19

FLUIDAL

Racor Doble Anillo Trale LOK

Racor recto hembra

Racor recto hembra rosca NPT**1/2**

Artículo	ØD1	R1	Ø int	L	L1	HEX 1
ZKIHP0202	1/8"	1/8"	2.28	28.95	15.24	9/16
ZKIHP0204	1/8"	1/4"	2.28	33.53	15.24	3/4
ZKIHP0206	1/8"	3/8"	2.28	37.6	17.68	7/8
ZKIHP0208	1/8"	1/2"	2.28	42.42	17.78	1-1/16
ZKIHP0402	1/4"	1/8"	5.08	31.24	17.78	9/16
ZKIHP0404	1/4"	1/4"	5.08	36.07	17.78	3/4
ZKIHP0406	1/4"	1/4"	5.08	37.59	17.78	7/8
ZKIHP0408	1/4"	3/8"	5.08	42.42	17.78	1-1/16
ZKIHP0602	3/8"	1/2"	7.11	32.77	19.30	5/8
ZKIHP0604	3/8"	1/4"	7.11	37.60	19.30	3/4
ZKIHP0606	3/8"	3/8"	7.11	39.11	19.30	7/8
ZKIHP0608	3/8"	1/2"	7.11	43.94	19.30	1-1/16
ZKIHP0802	1/2"	1/2"	10.41	40.38	22.10	5/8
ZKIHP0804	1/2"	1/4"	10.41	40.38	22.10	13/16
ZKIHP0806	1/2"	3/8"	10.41	41.91	22.10	7/8
ZKIHP0808	1/2"	1/2"	10.41	46.74	22.10	1-1/16
ZKIHP1008	5/8"	1/2"	12.7	46.73	22.10	1-1/16
ZKIHP1212	3/4"	3/4"	15.50	49.79	22.10	1-3/8
ZKIHP1616	1"	1"	21.85	62.49	26.67	1-5/8
ZKIHP06M02	6	1/2"	5	31.3	17.7	14
ZKIHP06M04	6	1/4"	5	36.1	17.7	19
ZKIHP06M06	6	3/8"	5	37.70	17.7	22
ZKIHP06M08	6	1/2"	5	42.5	17.7	27
ZKIHP08M04	8	1/4"	6.5	36.9	18.60	19
ZKIHP08M06	8	3/8"	6.5	38.5	18.60	22
ZKIHP08M08	8	1/2"	6.5	38.5	18.60	27
ZKIHP10M04	10	1/4"	7.9	37.80	19.5	19

Racor Doble Anillo Trale LOK

Racor recto hembra

Racor recto hembra rosca NPT**2/2**

Artículo	ØD1	R1	Ø int	L	L1	HEX 1
ZKIHP10M06	10	3/8"	7.9	39.4	19.5	22
ZKIHP10M08	10	1/2"	7.9	44.1	19.5	27
ZKIHP12M04	12	1/4"	9.5	41.9	22	22
ZKIHP12M06	12	3/8"	9.5	41.9	22	22
ZKIHP12M08	12	1/2"	9.5	46.6	22	27
ZKIHP16M08	16	1/2"	12.7	46.9	22	27
ZKIHP20M12	20	3/4"	16	49.7	22	35
ZKIHP22M12	22	3/4"	18	49.7	22	35
ZKIHP25M16	25	1"	22	62.3	26.5	41

FLUIDAL